



## Quality Irrigation Products



ISO 9001:2015  
Certified  
Quality Management



ANSI National Accreditation Board  
ACCREDITED  
ISO/IEC 17021-1  
MANAGEMENT SYSTEMS  
CERTIFICATION BODY

UMC is a ISO 9001:2015  
Certified Company

[www.umcproducts.com](http://www.umcproducts.com)

2920 Airway Ave, Costa Mesa, Ca. 92626  
phone: 714.437.9600 fax: 714.437.9700



## Center Drive Gear Motor

### Power Saver® 4 - Inverter Duty

Designed for constant move mechanized irrigation

UMC's Inverter Duty Power Saver 4 center drives were designed for use on constant move mechanized irrigation systems. When used with a variable speed drive system, these center drives enable a machine to travel across a wider range of speeds.

Model Number	Output RPM
06169-111A	4 - 87 RPM
06169-111B	5 - 116 RPM

## Features and Benefits

These center drives have been field proven on constant move corner arms. With their advanced features they offer excellent performance.

- ▶ TENV 1.6HP Inverter Duty Motor – CSA & CE certified
- ▶ Available ratios: 40:1, 30:1
- ▶ Finned aluminum stator can for enhanced heat dissipation
- ▶ Stainless stator bolts for enhanced corrosion resistance
- ▶ Class H wire and class F insulation
- ▶ IP 45 rated
- ▶ Cartridge output seals eliminate shaft grooving & reduce oil leaks
- ▶ 95% efficient helical gear reduction
- ▶ Heat treated forged steel gears result in less wear and quieter operation
- ▶ Multi-bolt mount pattern fits most pivots
- ▶ Self-leveling oil fill plug for easier maintenance
- ▶ Integrated crop guard to receive coupler shields & protect oil seals from crop wrapping & debris
- ▶ Seal savers on output to protect oil seals
- ▶ Motor drain holes protected by UMC's exclusive Spray Guard for superior spray protection

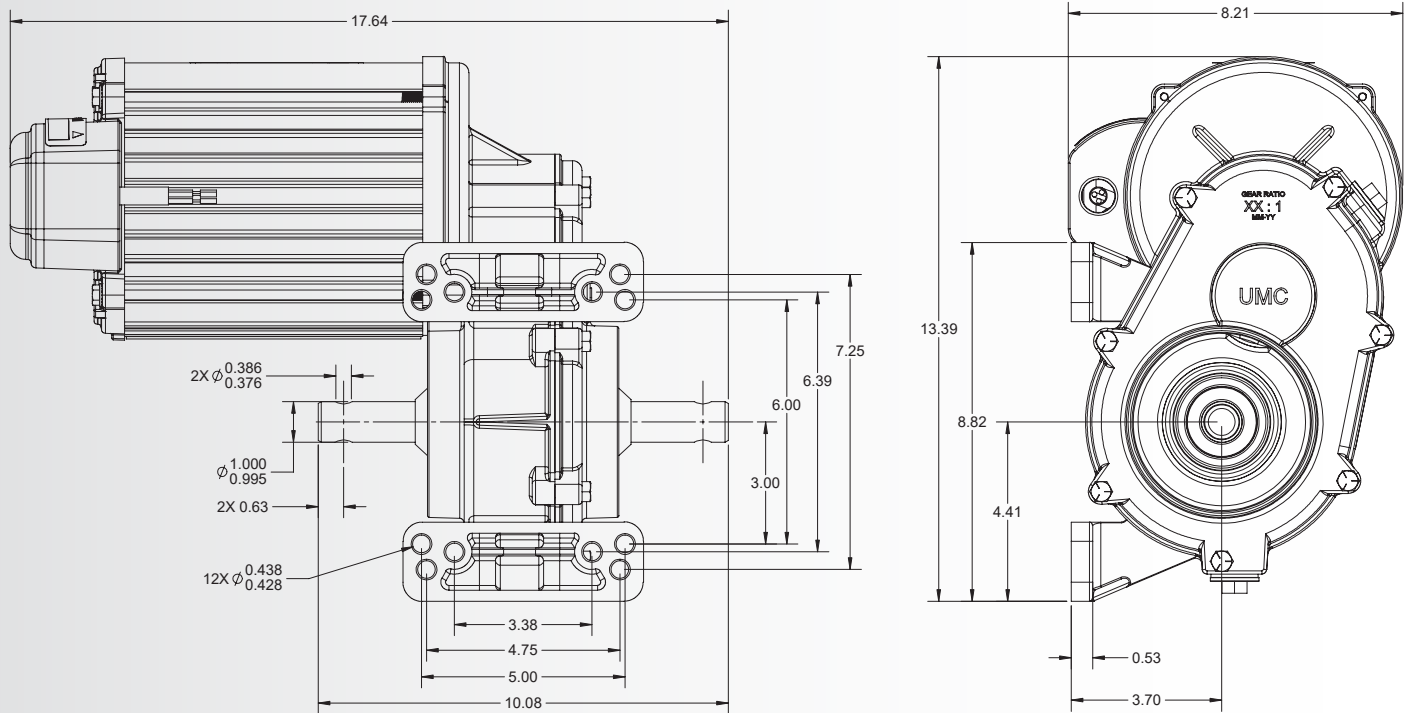
[sales@umcproducts.com](mailto:sales@umcproducts.com)

# Universal Motion Components®

Dimensional Drawing

## Power Saver® 4 - Inverter Duty

06169-111A/B



Part Number	Input Volts	Hz	Output RPM	Amps	Torque (Lb-IN)	HP	Duty
06169-111A	66V-460V	6 - 90	4 - 65	0.4 - 2.2	1816 - 1379	0.11 - 1.3	CONT.
		90 - 120	65 - 87	2.2 - 1.9	1379 - 1110	1.3 - 1.6	2Hrs Max
06169-111B	66V-460V	6 - 90	5 - 86	0.4 - 2.2	1362 - 1035	0.11 - 1.3	CONT.
		90 - 120	86 - 116	2.2 - 1.9	1035 - 832	1.3 - 1.6	2Hrs Max

UNIVERSAL  
MOTION  
COMPONENTS



[www.umcproducts.com](http://www.umcproducts.com)



[sales@umcproducts.com](mailto:sales@umcproducts.com)

Universal Motion Components, Co. Inc.  
2920 Airway Ave, Costa Mesa, Ca. 92626  
Phone - 714-437-9600 Fax - 714-437-9700  
Web - <http://www.umcproducts.com>  
E-mail - [sales@umcproducts.com](mailto:sales@umcproducts.com)