



IRRIGATION  
POWERTRAIN

## Quality Irrigation Products



ISO 9001:2015  
Certified  
Quality Management



ANSI National Accreditation Board  
ACCREDITED  
ISO/IEC 17021  
MANAGEMENT SYSTEMS  
CERTIFICATION BODY

UMC is a ISO 9001:2015  
Certified Company

[www.umcproducts.com](http://www.umcproducts.com)

2920 Airway Ave, Costa Mesa, Ca. 92626  
phone: 714.437.9600 fax: 714.437.9700



## Features and Benefits

These center drives were designed with the future of center pivot irrigation in mind. With their advanced features and wide speed range, these units offer unrivaled performance.

- ▶ TEFC 3.0/2.5HP Inverter Duty Motor – CSA & CE certified
- ▶ Available ratios: 40:1, 30:1, 25:1 & 20:1
- ▶ Last tower top speed range: 50 – 100ft/min with 38" tires & 50:1 gearboxes
- ▶ Fan cooled motor with aluminum stator can for enhanced heat dissipation
- ▶ Stainless steel fan shroud and stator bolts for enhanced corrosion resistance
- ▶ Class H wire and class F insulation
- ▶ IP 45 rated

## Center Drive Gear Motor

### Power Saver® 4 - High Speed Inverter Duty

Designed for high-speed constant move mechanized irrigation

UMC's High Speed Inverter Duty Power Saver 4 center drives were designed to enhance the capabilities of electric-powered mechanized irrigation systems. When used with a variable speed drive system, these center drives enable a machine to travel across the widest range of speeds in the industry, enabling low speed irrigation and high-speed irrigation, chemigation and data collection.

Model Number	Output RPM
06169-111K	7 - 170 RPM
06169-111C	9 - 224 RPM
06169-111F	12 - 282 RPM
06169-111M	14 - 343 RPM

- ▶ Cartridge output seals eliminate shaft grooving & reduce oil leaks
- ▶ 95% efficient helical gear reduction
- ▶ Heat treated forged steel gears result in less wear and quieter operation
- ▶ Multi-bolt mount pattern fits most pivots
- ▶ Self-leveling oil fill plug for easier maintenance
- ▶ Integrated crop guard to receive coupler shields & protect oil seals from crop wrapping & debris
- ▶ Seal savers on output to protect oil seals
- ▶ Motor drain holes protected by UMC's exclusive Spray Guard for superior spray protection

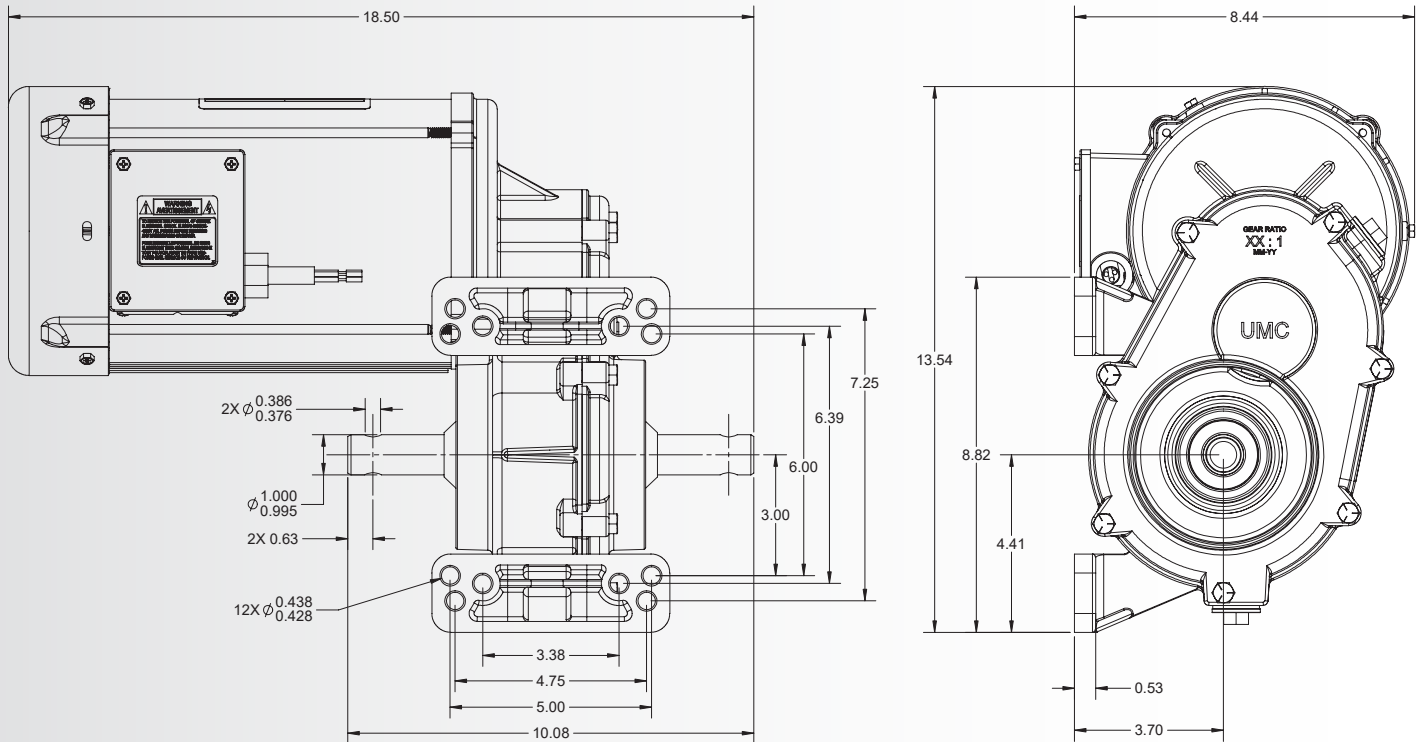
[sales@umcproducts.com](mailto:sales@umcproducts.com)

# Universal Motion Components®

Dimensional Drawing

## Power Saver® 4 - High Speed Inverter Duty

06169-111K/C/F/M



Part Number	Input Volts	Hz	Output RPM	Amps	Torque (Lb-IN)	HP	Duty
06169-111K	66V-460V	6 - 120	7 - 170	3.4 - 4.6	2122 - 1071	0.25 - 3.0	CONT.
	66V-380V	6 - 100	7 - 143	3.4 - 4.4	2122 - 1071	0.25 - 2.5	CONT.
06169-111C	66V-460V	6 - 120	9 - 224	3.4 - 4.6	1621 - 818	0.25 - 3.0	CONT.
	66V-380V	6 - 100	9 - 187	3.4 - 4.4	1621 - 818	0.25 - 2.5	CONT.
06169-111F	66V-460V	6 - 120	12 - 282	3.4 - 4.6	1288 - 650	0.25 - 3.0	CONT.
	66V-380V	6 - 100	12 - 235	3.4 - 4.4	1288 - 650	0.25 - 2.5	CONT.
06169-111M	66V-460V	6 - 120	14 - 343	3.4 - 4.6	1050 - 530	0.25 - 3.0	CONT.
	66V-380V	6 - 100	14 - 288	3.4 - 4.4	1050 - 530	0.25 - 2.5	CONT.

UNIVERSAL  
MOTION  
COMPONENTS



[www.umcproducts.com](http://www.umcproducts.com)



[sales@umcproducts.com](mailto:sales@umcproducts.com)

Universal Motion Components, Co. Inc.  
2920 Airway Ave, Costa Mesa, Ca. 92626  
Phone - 714-437-9600 Fax - 714-437-9700  
Web - <http://www.umcproducts.com>  
E-mail - [sales@umcproducts.com](mailto:sales@umcproducts.com)