



## Quality Irrigation Products



ISO 9001:2015  
Certified  
Quality Management



ANSI National Accreditation Board  
ACCREDITED  
ISO/IEC 17021-1  
MANAGEMENT SYSTEMS  
CERTIFICATION BODY

UMC is a ISO 9001:2015  
Certified Company

[www.umcproducts.com](http://www.umcproducts.com)

2920 Airway Ave, Costa Mesa, Ca. 92626  
phone: 714.437.9600 fax: 714.437.9700

## Towable Final Drive Gearbox



### TNT-UV-AD™ Gearbox

Designed for towable center pivots and lateral / linear irrigation systems. Purpose built for higher performance.

The UMC® TNT-UV-AD™ gearbox is designed for use on towable center pivots and lateral / linear irrigation systems. The gearbox design allows the worm gear to disengage from the bull gear so the output shaft can rotate freely, enabling users to move irrigation systems from one field to another.

#### Gear Ratio

52:1

#### Part Number

10143-116A

## Features and Benefits

The UMC® TNT-UV-AD™ gearbox is purpose built for higher performance and longer life. It features a 52:1 gear ratio, a 2.25" diameter output shaft, large input bearings, cartridge seals and enhanced gear material that allows for increased load capacity, reduced gear wear and lower operating temperatures. It is a direct replacement for its predecessor, the TNT-2-UV™.

- ▶ 2.25" diameter extended steel output shaft
- ▶ 52:1 gear ratio with a 25° pressure angle and full recess action gear design
- ▶ Cartridge input and output seals
- ▶ Large input bearings
- ▶ Disengage-able worm gear for towing
- ▶ Larger full cycle external expansion chamber with die cast aluminum cover

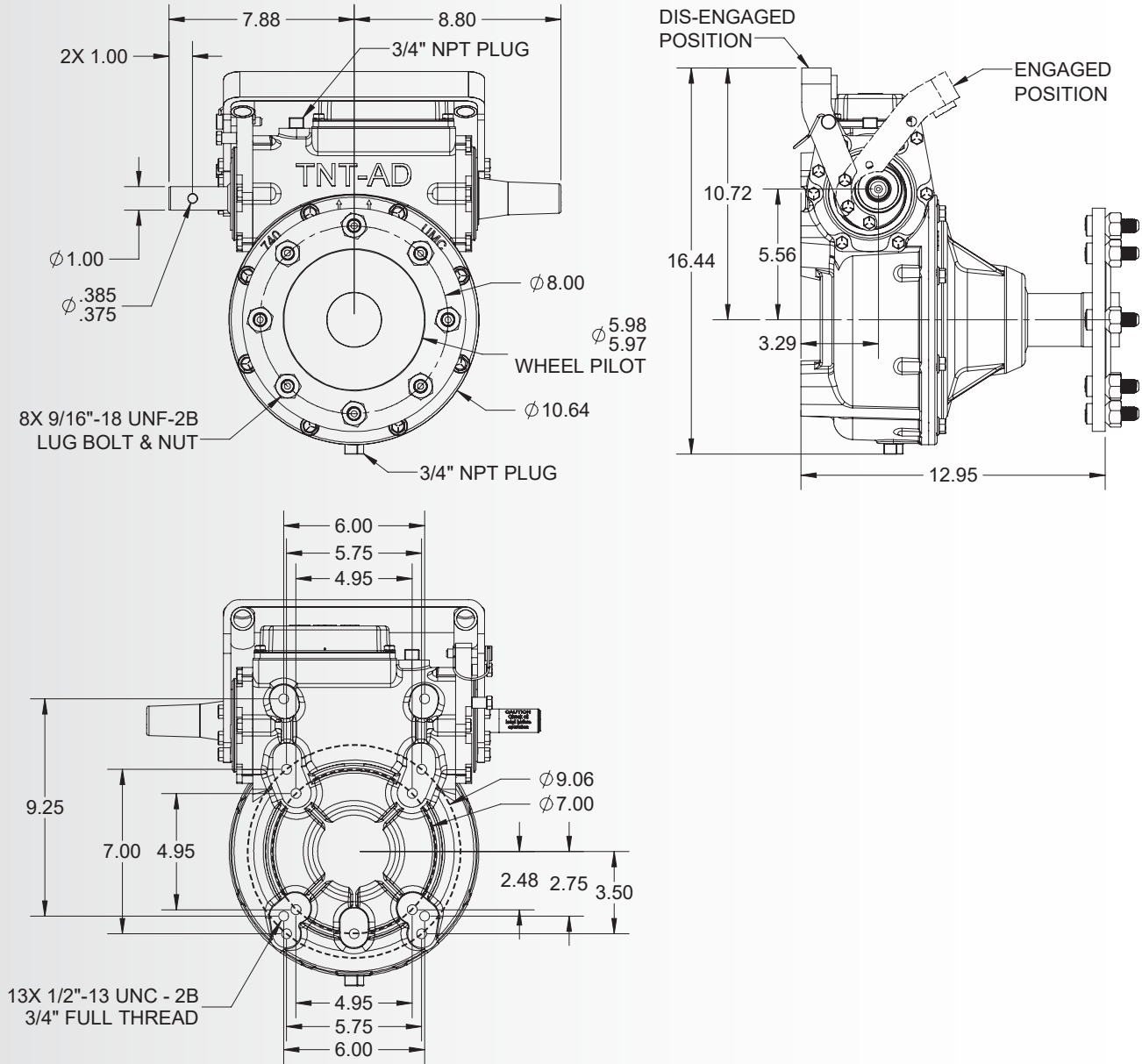
- ▶ Enhanced gear material that increases load capacity, reduces gear wear and lowers operating temperatures, extending gear life
- ▶ 13-Bolt mounting pattern
- ▶ External seal protectors for input and output seals
- ▶ Dual ended input shaft with hub cap for the unused end
- ▶ Large 3/4" oil fill and drain plugs for easier maintenance
- ▶ Filled with extreme pressure gear oil  
Extra long carriage bolts allow use with reinforced rims
- ▶ Positive wheel register

[sales@umcproducts.com](mailto:sales@umcproducts.com)

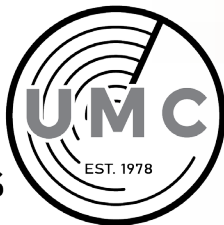
# Universal Motion Components®

DIMENSIONAL DRAWING

## TNT-UV-AD TOWABLE GEARBOX



UNIVERSAL  
MOTION  
COMPONENTS



[www.umcproducts.com](http://www.umcproducts.com)



[sales@umcproducts.com](mailto:sales@umcproducts.com)

Universal Motion Components, Co. Inc.  
2920 Airway Ave, Costa Mesa, Ca. 92626  
Phone - 714-437-9600 Fax - 714-437-9700  
Web - <http://www.umcproducts.com>  
E-mail - [sales@umcproducts.com](mailto:sales@umcproducts.com)