

Quality Irrigation Products



UMC is a ISO 9001:2015
Certified Company



Irrigation Solutions

2920 Airway Ave, Costa Mesa, Ca. 92626
phone: 714.437.9600 / www.umcproducts.com

Final Drive Gearbox



Planetary

Hydrostatically driven Planetary gearbox for T-L center pivots and linears

The UMC® Planetary gearbox is a direct replacement for T-L Planetary gearboxes. It is designed for use on T-L center pivots and linear irrigation systems that are hydrostatically driven.

| Part Number | Gear Ratio |
|-------------|------------|
| 09760-115A | 68:1 |
| 09760-115B | 24:1 |

Features and Benefits

The UMC® Planetary gearbox is available in a 24:1 and 68:1 gear ratio and is roughly 90% efficient. The gearbox comes standard as quick acting enabling one to easily disengage the input shaft if towing is required.

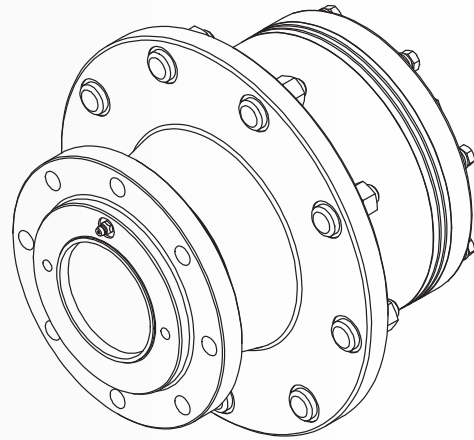
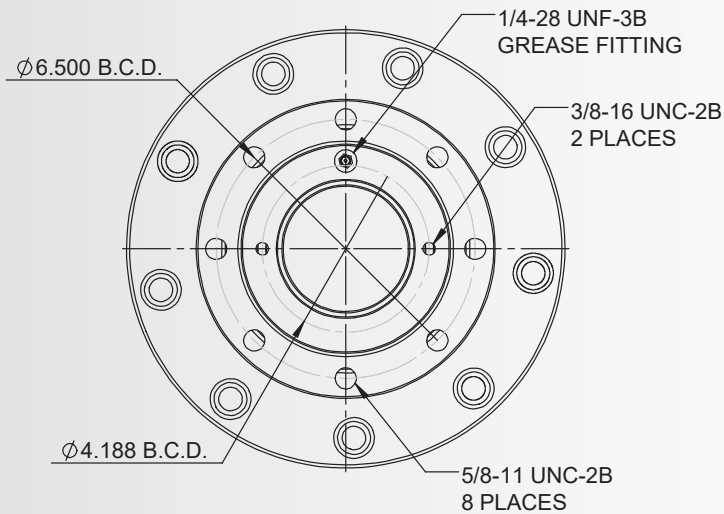
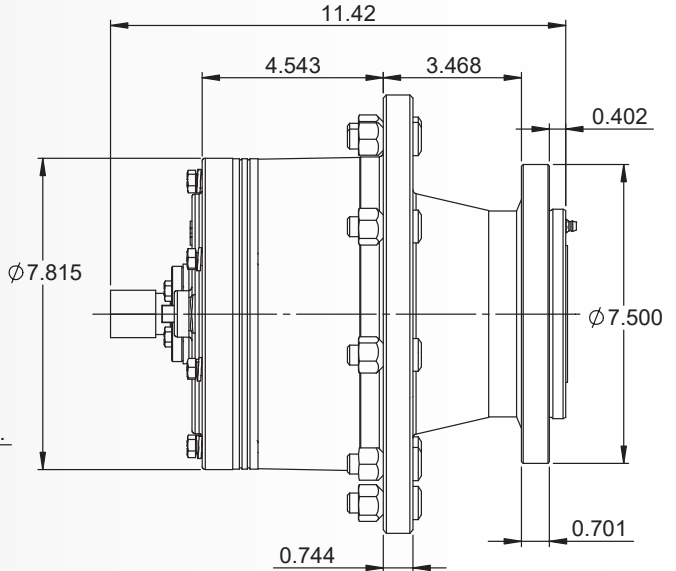
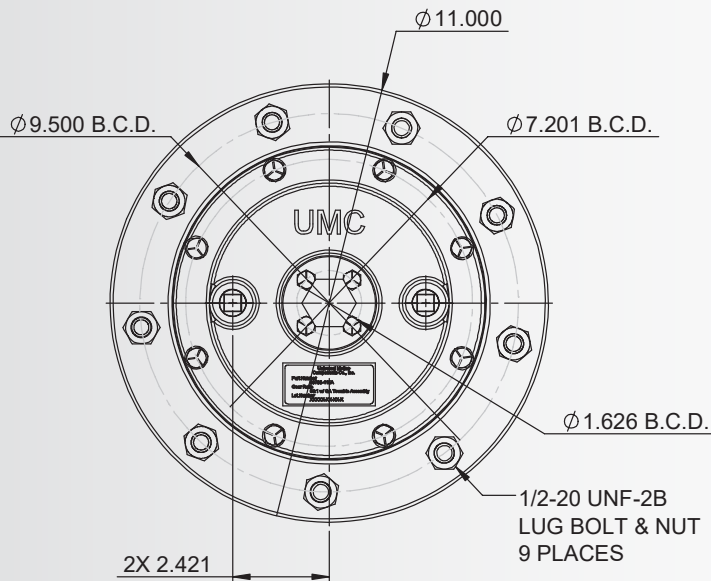
- ▶ Direct replacement for T-L Planetaries
- ▶ Hydraulic input for direct motor coupling
- ▶ Quick acting is standard for more versatility
- ▶ 24:1 or 68:1 gear ratio
- ▶ 9-bolt wheel flange pattern
- ▶ Peak output torque of 66,200 in-lbs
- ▶ Filled with lithium grease



sales@umcproducts.com

Universal Motion Components®

Dimensional Drawing Planetary Final Drive Gearbox



UNIVERSAL
MOTION
COMPONENTS



sales@umcproducts.com

Universal Motion Components, Co. Inc.
2920 Airway Ave, Costa Mesa, Ca. 92626
714-437-9600 / sales@umcproducts.com

www.umcproducts.com