

Quality Irrigation Products



UMC is a ISO 9001:2015
Certified Company



Irrigation Solutions

2920 Airway Ave, Costa Mesa, Ca. 92626
phone: 714.437.9600 / www.umcproducts.com

Final Drive Gearbox



740-U-AD™ Gearbox

The highest performance standard gearbox in the industry

The UMC® 740-U-AD™ gearbox is purpose-built for higher performance and longer life. It's a work-alike to the 740-U™ gearbox with enhanced gear material that allows for significantly increased load capacity and gear life. Based on UMC's testing, the 740-U-AD™ has the highest load capacity and longest gear life of any gearbox in its class. It's the perfect choice for those seeking a gearbox that's built to handle more and last longer.

Features and Benefits

The UMC® 740-U-AD™ gearbox features a 50:1 gear ratio, a 2.25 inch diameter output shaft, large input bearings, cartridge seals and enhanced gear material that allows for increased load capacity, reduced gear wear and lower operating temperatures.

- ▶ 2.25 inch diameter steel output shaft
- ▶ 50:1 gear ratio
- ▶ Cartridge input and output seals
- ▶ Large input bearings
- ▶ Enhanced gear material that increases load capacity, reduces gear wear and lowers operating temperatures, extending gear life

Part Number	Gear Ratio	Bolt Pattern
10141-105VD	50:1	13-Bolt
10141-105AD	50:1	11-Bolt

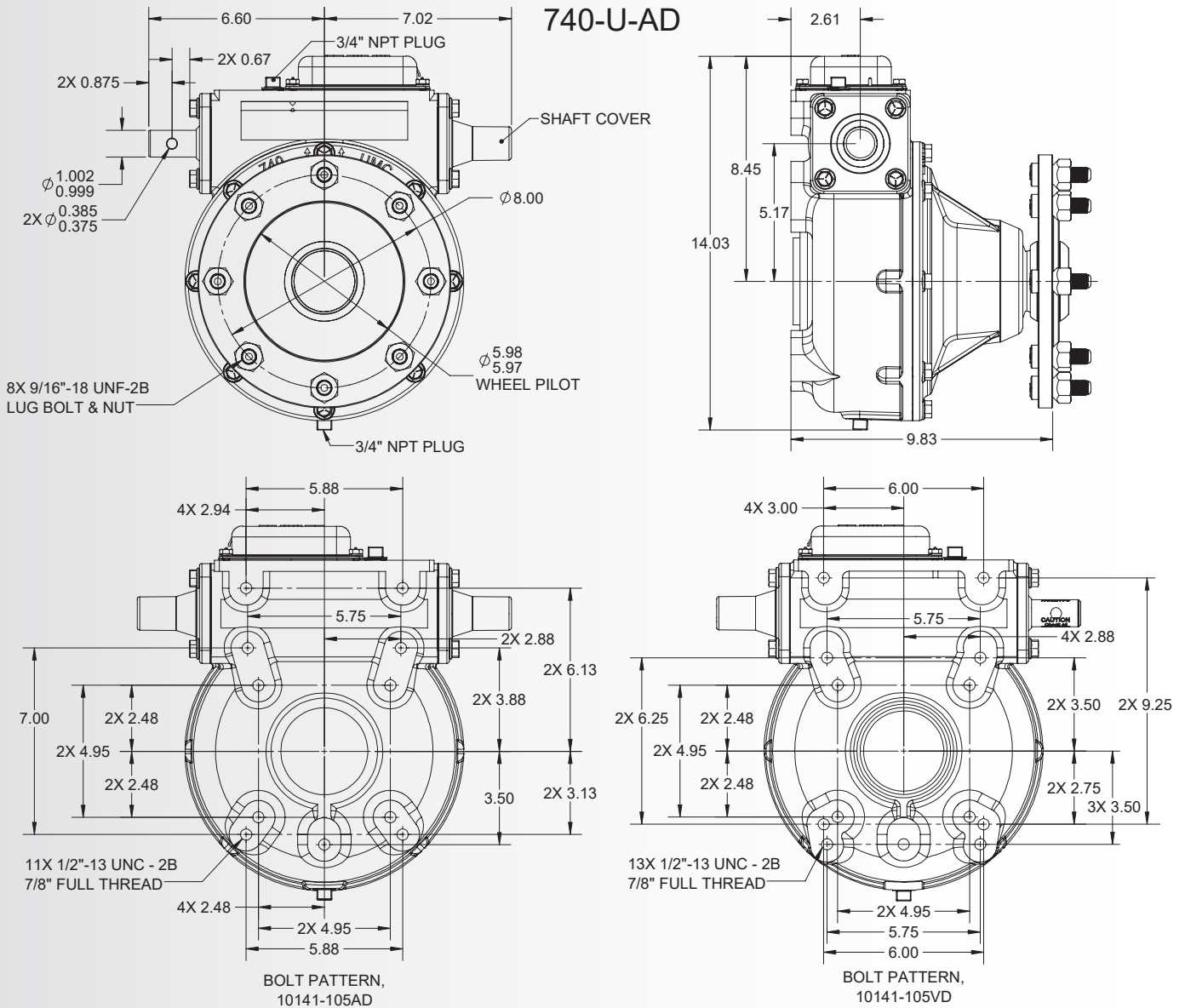
- ▶ Full cycle external expansion chamber with stainless steel cover
- ▶ 13-Bolt or 11-Bolt mounting pattern
- ▶ External seal protectors for input and output seals
- ▶ Dual ended input shaft with hub cap for the unused end
- ▶ Top oil fill plug
- ▶ Filled with extreme pressure gear oil
- ▶ Extra long carriage bolts allow use with reinforced rims
- ▶ Positive wheel register
- ▶ This gearbox features UMC's registered Four-Rib Design® trademark

sales@umcproducts.com

Universal Motion Components®

Dimensional Drawing

740-U-AD Final Drive Gearbox



Universal mounting bolt pattern fits most Zimmatic, Reinke, and Lockwood systems.

Gearboxes with UMC's registered Four-Rib Design® trademark are a distinct design feature signaling a genuine UMC irrigation product. Learn other ways to identify genuine UMC Irrigation hardware, at www.umcproducts.com/genuine.

**UNIVERSAL
MOTION
COMPONENTS**



sales@umcproducts.com

Universal Motion Components, Co. Inc.
2920 Airway Ave, Costa Mesa, Ca. 92626
714-437-9600 / sales@umcproducts.com
www.umcproducts.com