

## Quality Irrigation Products

ISO 9001:2000 CERTIFIED

2920 Airway Ave, Costa Mesa, Ca. 92626  
phone: 714.437.9600 fax: 714.437.9700

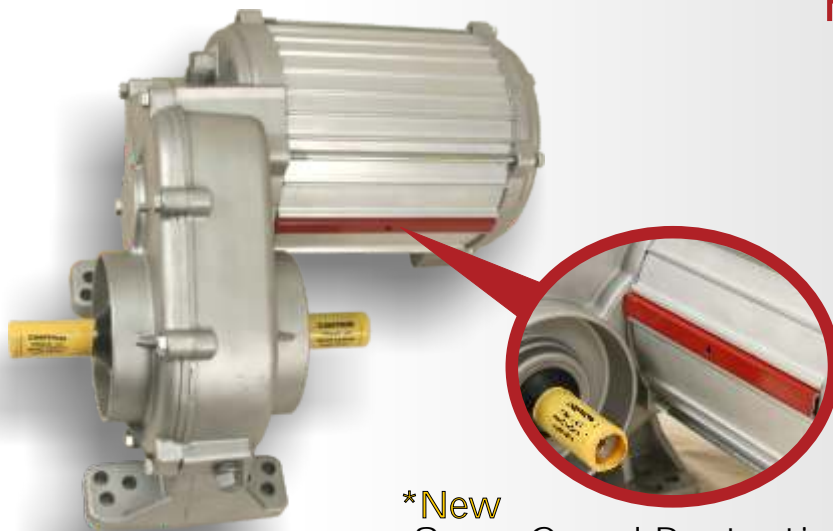


### Power Saver 3.5

### Performance Inspired Work Proven

#### Models Available:

- ⇒ 20:1 ratio 1 ½hp
- ⇒ 25:1 ratio 1 ½hp
- ⇒ 30:1 ratio 1 ½hp
- ⇒ 40:1 ratio ¾hp
- ⇒ 50:1 ratio ¾hp
- ⇒ 60:1 ratio ¾hp



**\*New**  
Spray Guard Protection

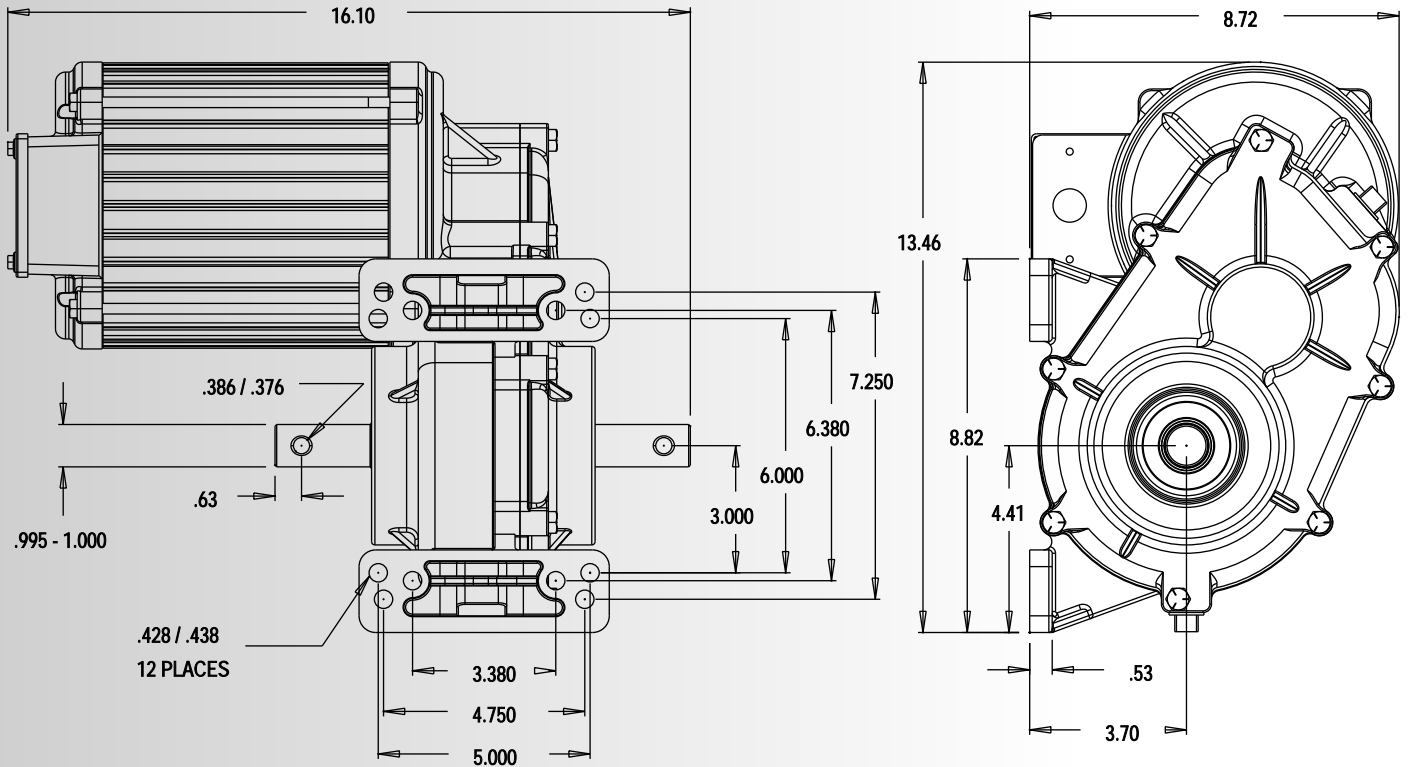
#### Evaluation specification:

- & All aluminum gear case and motor housing for cooler running, longer life, and increased corrosion resistance.
- & Spray guard for added moisture protection.
- & Proven reliability.
- & Multi-bolt mounting pattern fits (3 3/8" x 6 3/8"), (4 3/4" x 7 1/4") and (5" x 6") bolt patterns.
- & Voltage: 460V 60 Hz, 380V 50 Hz.
- & First Helical gear drive in the industry.
- & High strength steel shafting for long life and dependability.
- & Thermally protected with automatic reset located in easily accessible junction box.
- & All gears are heat treated.
- & Specially designed input and output seals.
- & Top fill plug positioned to set correct oil level.
- & All critical electrical connections use P.D. caps to encapsulate and to resist penetration of moisture.
- & Class F insulation and materials are used throughout.
- & TFE tubing on all magnetic Wire to motor lead connections.
- & Makes possible the use of smaller generators and smaller incoming wire sizes.
- & C.S.A. approved.
- & Shipped with gear oil.
- & Efficiency 95%.
- & Stainless junction box cover.
- & Dual shaft seals.
- & New High capacity outer motor bearing

Contact UMC at [sales@umcproducts.com](mailto:sales@umcproducts.com)

# Universal Motion Components

## Dimensional Drawing Power Saver 3.5



Ratio	20:1	25:1	30:1	40:1	50:1	60:1
Motor HP	1 1/2 HP	1 1/2 HP	1 1/2 HP	3/4 HP	3/4 HP	3/4 HP
Service Factor	1.1	1.1	1.1	1.3	1.3	1.3
Full Load RPM	460 / 380	460 / 380	460 / 380	460 / 380	460 / 380	460 / 380
INPUT	1745 / 1425 RPM	1745 / 1425 RPM	1745 / 1425 RPM	1745 / 1425 RPM	1745 / 1425 RPM	1745 / 1424 RPM
OUTPUT	87 / 71 RPM	68 / 56 RPM	58 / 48 RPM	44 / 35 RPM	35 / 29 RPM	29 / 24 RPM
Full Load AMP	2.2 A / 2.3 A	2.2 A / 2.3 A	2.2 A / 2.3 A	1.4 A / 1.5 A	1.4 A / 1.5 A	1.10 A / 1.20 A
No Load AMP	1.3 A / 1.4 A	1.3 A / 1.4 A	1.3 A / 1.4 A	1.0 A / 1.1 A	1.0 A / 1.1 A	0.84 A / 0.90 A
Full LD Torque Motor	4.577 LB-FT	4.577 LB-FT	4.577 LB-FT	2.30 LB-FT	2.30 LB-FT	1.52 LB-FT
Breakdown Torque Motor	18.92 LB-FT	18.92 LB-FT	18.92 LB-FT	13.39 LB-FT	13.39 LB-FT	9.73 LB-FT
Lock Rotor AMPS	16.36 Amp	16.36 Amp	16.36 Amp	9.60 Amp	9.60 Amp	8.00 Amp
Lock Rotor TQE Motor	19.98 LB-FT (437%)	19.98 LB-FT (437%)	19.98 LB-FT (437%)	10.83 LB-FT (471%)	10.83 LB-FT (471%)	528% Estimated

Contact UMC at [sales@umcproducts.com](mailto:sales@umcproducts.com)



**Universal Motion Components, Co. Inc.**  
2920 Airway Ave, Costa Mesa, Ca. 92626  
Phone: 714.437.9600 Fax: 714.437.9700  
Web: <http://www.umcproducts.com>  
E-mail: [sales@umcproducts.com](mailto:sales@umcproducts.com)