

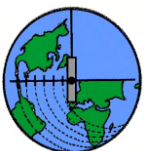
UNIVERSAL MOTION COMPONENTS

SPARE PARTS CATALOG

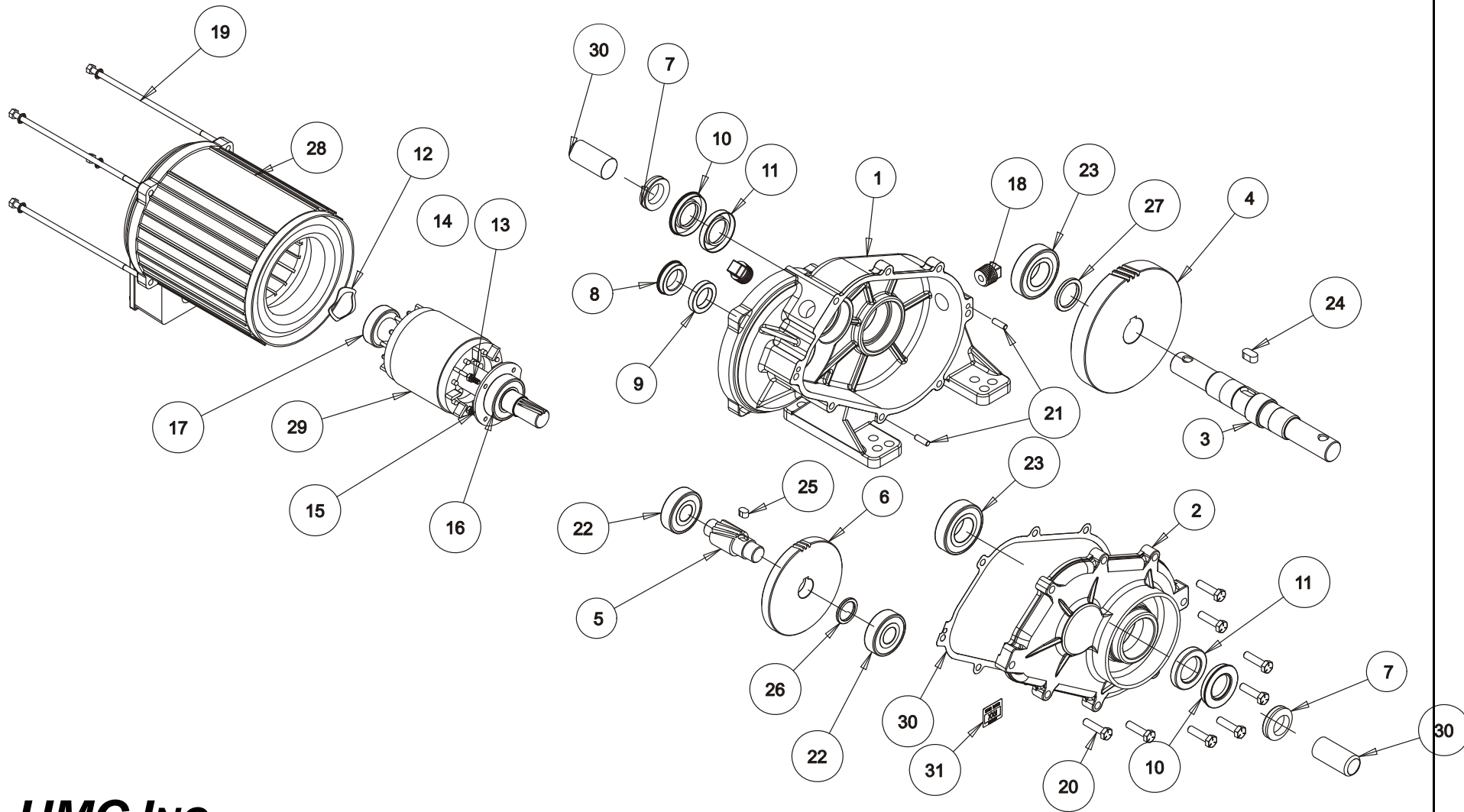
IRRIGATION - Center Drives

MODEL	Description	P/N	PAGE
PS 3.5	Powersaver 3.5 Gear Motor, Multi Ratio	06168-101*	19
PS III	Powersaver 3 Gear Motor, Multi Ratio	06165-101*	21
PS II	Powersaver 2 Gear Motor, Multi Ratio	06160-101*	23
CD-1U	Center Drive Gearbox, Multi Ratio	09333-15*A	25

UNIVERSAL MOTION COMPONENTS, Co. Inc.



2920 Airway Ave, Costa Mesa, Ca. 92626-6008
Phone: (714) 437-9600 Fax: (714) 437-9700
E-mail: sales@umcproducts.com Web: <http://www.umcproducts.com>

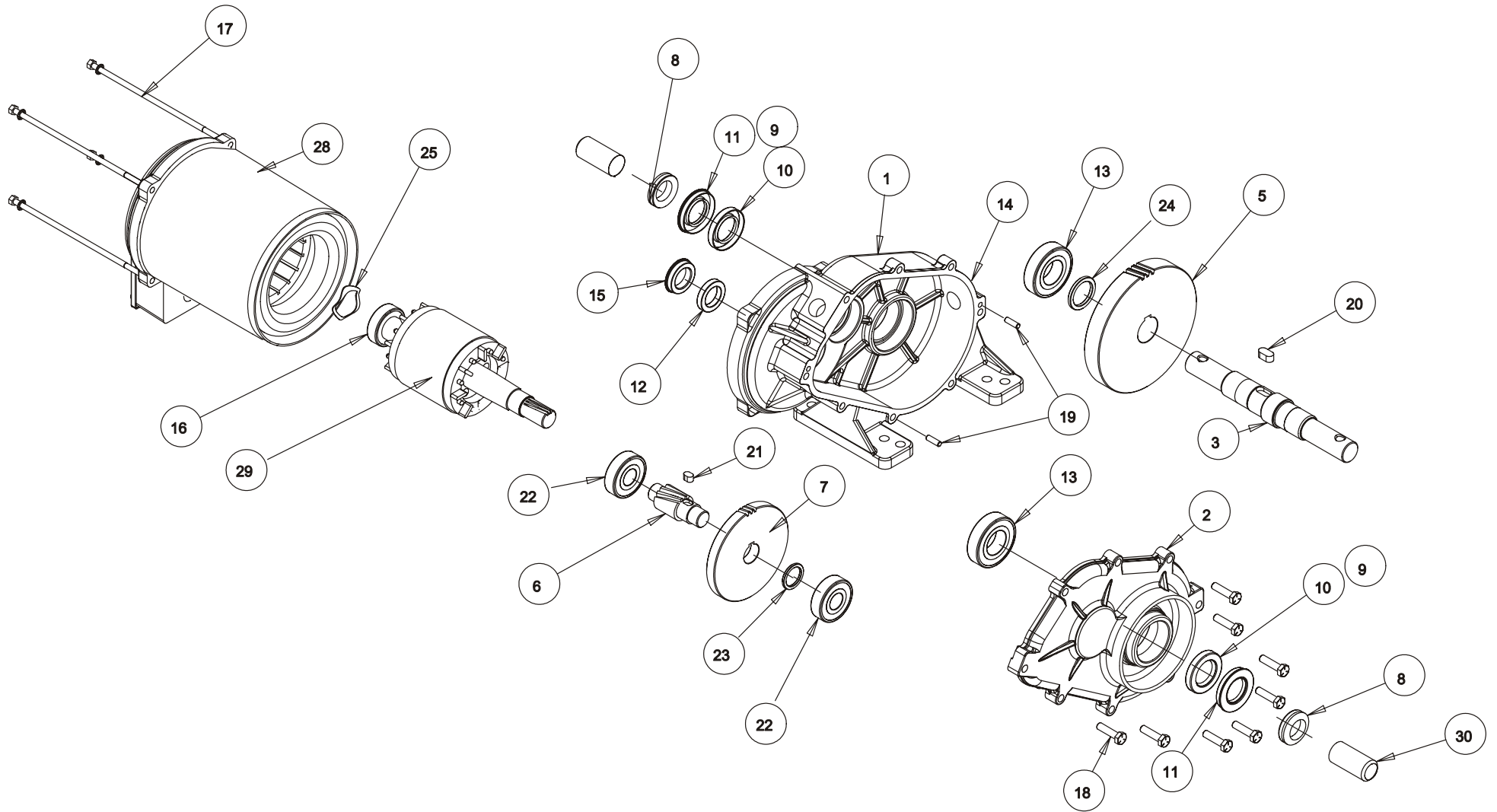


UMC Inc.

POWER SAVER 3.5 GEARMOTOR
06168-101A, -101B, -101D, -101F, -101H, 101K, 101Q

101D 20:1	101F 25:1	101B 30:1	101A 101K 40:1	101H 50:1	101Q 101M 60:1	POWERSAVER 3.5 GEAR MOTOR Ratios: 60:1 50:1 40:1 30:1 25.5:1 20:1 06168-101Q, -101M, -101H, -101A, -101K, -101C, -101F, -101D		
QTY	QTY	QTY	QTY	QTY	QTY	DESCRIPTION	PART NO	ITEM
1	1	1	1	1	1	HOUSING, GEAR PS 3.5	06168-201A	1
1	1	1	1	1	1	COVER, HOUSING PS 3.5	06168-202A	2
1	1	1	1	1	1	SHAFT, OUTPUT PS 3.5	06168-203A	3
-	-	-	-	-	1	GEAR, SPIRAL (FINAL) 60:1, 74 TEETH	06168-213A	4
-	-	-	1	1	-	GEAR, SPIRAL (FINAL) 40-50:1, 74 TEETH	06168-204A	4
-	-	1	-	-	-	GEAR, SPIRAL (FINAL) 30:1, 71 TEETH	06168-205A	4
-	1	-	-	-	-	GEAR, SPIRAL (FINAL) 25.5:1, 68 TEETH	06168-215A	4
1	-	-	-	-	-	GEAR, SPIRAL (FINAL) 20:1, 65 TEETH	06168-206A	4
-	-	-	-	-	1	GEAR, SHAFT (PINION) 60:1, 11 TEETH	06168-214A	5
-	-	-	1	1	-	GEAR, SHAFT (PINION) 40-50:1, 12 TH	06168-207A	5
-	-	1	-	-	-	GEAR, SHAFT (PINION) 30:1, 15 TEETH	06168-208A	5
-	1	-	-	-	-	GEAR, SHAFT (PINION) 25.5:1, 21 TEETH	06168-216A	5
1	-	-	-	-	-	GEAR, SHAFT (PINION) 20:1, 21 TEETH	06168-209A	5
-	-	-	-	-	1	GEAR, SPIRAL(1 ST RED) 60:1 74 TEETH	06168-211A	6
-	-	-	-	1	-	GEAR, SPIRAL(1 ST RED) 50:1 73 TEETH	06168-212A	6
1	1	1	1	-	-	GEAR, SPIRAL(1 ST RED) 20 THRU 40 71T	06168-210A	6
2	2	2	2	2	2	WIPER, SEAL V-GROOVE	06141-705A	7
1	1	1	1	1	1	SEAL, OIL FLANGED 25 X 38 X 8.5	06160-710D	8
1	1	1	1	1	1	SEAL, OIL GRND OD 25 X 38 X 7mm	06160-710E	9
2	2	2	2	2	2	SEAL, OIL FLANGED 30 X 50 X 8mm	06168-705B	10
2	2	2	2	2	2	SEAL, OIL GRND OD 30 X 50 X 8mm	06168-705D	11
1	1	1	1	1	1	WASHER, WAVE SPRING	06160-814A	12
4	4	4	4	4	4	SCREW, HX HD CAP M5 X 12 mm LG.	06168-820A	13
4	4	4	4	4	4	WASHER, LOCK HEL SPRING # 10 BK OX	06168-817A	14
1	1	1	1	1	1	RING, ALUM 45mm ID X 56mm OD X 3mm	06168-902A	15
1	1	1	1	1	1	BEARING, BALL 25 X 52 X15mm (6205)	06150-808C	16
1	1	1	1	1	1	BEARING, BALL 20 X 47 X 14 mm (6204)	06150-809A	17
2	2	2	2	2	2	PLUG, PIPE ½ NPT	06141-803A	18
4	4	4	4	4	4	BOTL, HEX HEAD (PHIL) ¼-20 x 7.95 LG	06165-801A	19
8	8	8	8	8	8	BOLT, HEX HEAD CAP (5/16-18 x 1.25 LG)	06160-807A	20
2	2	2	2	2	2	PIN, STRAIGHT 6 X 19mm	06160-808A	21
2	2	2	2	2	2	BEARING, BALL 20 mm ID (6304 LLB)	06165-804A	22
2	2	2	2	2	2	BEARING, BALL 30mm ID (6206 LLB)	07530-801A	23
1	1	1	1	1	1	KEY, 10mm X 8mm x 20mm LG	06168-802A	24
1	1	1	1	1	1	KEY, 8mm X 7mm x 12mm LG	06168-803A	25
1	1	1	1	1	1	RING, SPACER SMALL	06168-805A	26
1	1	1	1	1	1	RING, SPACER LARGE	06168-806A	27
-	-	-	-	-	(1*)	STATOR ASSY, 3/4 HP 60:1 PS 3.5 (-101Q)	06168-601Q	28
-	-	-	-	-	(1*)	STATOR ASSY 1.5 HP 60:1 PS 3.5 (-101M)	06168-601M	28
-	-	-	-	1	-	STATOR ASSY, ¾ HP 50:1 PS 3.5	06168-601H	28
-	-	-	(1*)	-	-	STATOR ASSY, ¾ HP 40:1 PS 3.5 (-101A)	06168-601A	28
-	-	-	(1*)	-	-	STATOR ASSY, 1.5 HP 40:1 PS 3.5 (-101K)	06168-601K	28
-	-	1	-	-	-	STATOR ASSY, 1 ½ HP 30:1 PS 3.5	06168-601B	28
-	1	-	-	-	-	STATOR ASSY, 1 ½ HP 25.5:1 PS 3.5	06168-601F	28
1	-	-	-	-	-	STATOR ASSY, 1 1/2 HP 20:1 PS 3.5	06168-601D	28
-	-	-	-	-	(1*)	ROTOR ASSY, 3/4 HP 60:1, 8 TH (-101Q)	06168-602Q	29
-	-	-	-	-	(1*)	ROTOR ASSY, 1.5 HP 60:1, 8 TH (-101M)	06168-602M	29
-	-	-	-	1	-	ROTOR ASSY, 3/4 HP 50:1, 9 TEETH	06168-602H	29
-	-	-	(1*)*	-	-	ROTOR ASSY, ¾ HP 40:1, 11 TH (-101A)	06168-602A	29
-	-	-	(1*)	-	-	ROTOR ASSY, 1.5 HP 40:1, 11 TH (-101K)	06165-602K	29
1	1	1	-	-	-	ROTOR ASSY 1 ½ HP 20,25.5, 30:1, 11 TH	06165-602B	29
2	2	2	2	2	2	COVER, OP SHAFT (PLASTIC)	06160-707A	30

(1*) For Items 27 & 28 common gear Ratios with ¾ or 1.5 HP



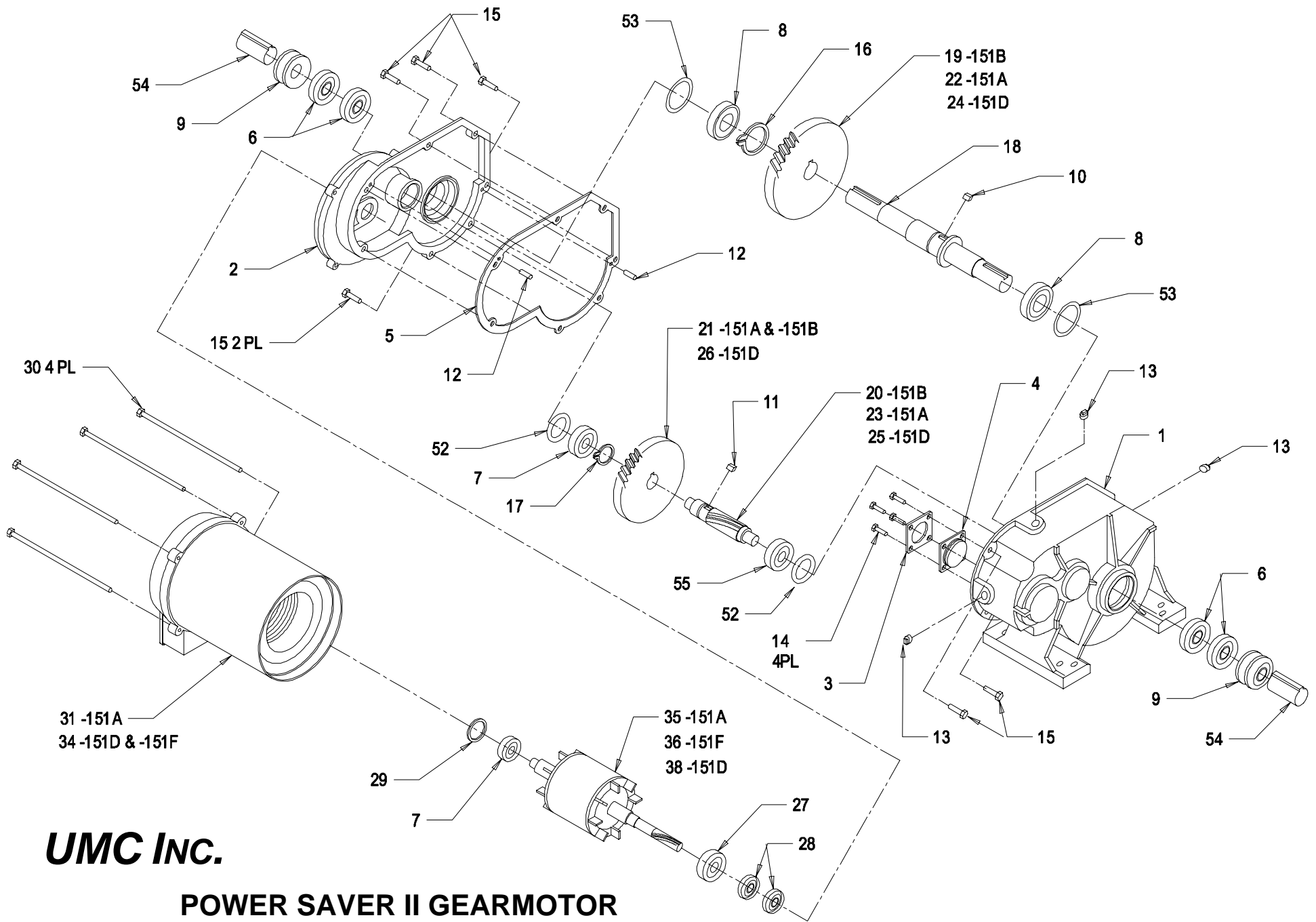
UMC Inc.

POWER SAVER III GEARMOTOR
06165-101A, -101B, -101D, -101G, -101H

POWERSAVER III GEAR MOTOR
Ratios: 60:1 50:1 40:1 30:1 25.5:1 20:1
06165-101G, -101H, -101A, -101C, -101F, -101D

101D 20:1	101F 25:1	101B 30:1	101A 40:1	101H 50:1	101G 60:1			
QTY	QTY	QTY	QTY	QTY	QTY	DESCRIPTION	PART NO	ITEM
1	1	1	1	1	1	HOUSING, GEAR PS III	06165-201A	1
1	1	1	1	1	1	COVER, HOUSING PS III	06165-202A	2
1	1	1	1	1	1	SHAFT, OUTPUT PS III	06165-203A	3
-	-	-	-	-	1	GEAR, SPIRAL (FINAL) 60:1, 74 TEETH	06165-213A	5
-	-	-	1	1	-	GEAR, SPIRAL (FINAL) 40-50:1, 74 TEETH	06165-204A	5
-	-	1	-	-	-	GEAR, SPIRAL (FINAL) 30:1, 71 TEETH	06165-205A	5
-	1	-	-	-	-	GEAR, SPIRAL (FINAL) 25.5:1, 68 TEETH	06165-215A	5
1	-	-	-	-	-	GEAR, SPIRAL (FINAL) 20:1, 65 TEETH	06165-206A	5
-	-	-	-	-	1	GEAR, SHAFT (PINION) 60:1, 11 TEETH	06165-214A	6
-	-	-	1	1	-	GEAR, SHAFT (PINION) 40-50:1, 12 TH	06165-207A	6
-	-	1	-	-	-	GEAR, SHAFT (PINION) 30:1, 15 TEETH	06165-208A	6
-	1	-	-	-	-	GEAR, SHAFT (PINION) 25.5:1, 21 TEETH	06165-216A	6
1	-	-	-	-	-	GEAR, SHAFT (PINION) 20:1, 21 TEETH	06165-209A	6
-	-	-	-	-	1	GEAR, SPIRAL(1 st RED) 60:1 74 TEETH	06165-211A	7
-	-	-	-	1	-	GEAR, SPIRAL(1 st RED) 50:1 73 TEETH	06165-212A	7
1	1	1	1	-	-	GEAR, SPIRAL(1 st RED) 20 THRU 40 71T	06165-210A	7
2	2	2	2	2	2	WIPER, SEAL V-GROOVE	06141-705A	8
4	4	4	4	4	4	SEAL, OIL 30 X 45 X 8mm (AE-1679-AO)	06160-705A	9*
2	2	2	2	2	2	SEAL, OIL 30 X 45 X 8mm GRND OD	06160-705D	10*
2	2	2	2	2	2	SEAL, OIL 30 X 45 X 8mm FLANGED	06160-705B	11*
2	2	2	2	2	2	SEAL, OIL 25 X 38 X 8mm (AE-7869-EO)	06160-710A	12
2	2	2	2	2	2	BEARING, BALL 30mm ID (6206 LLB)	07530-801A	13
2	2	2	2	2	2	PLUG, PIPE ½ NPT	06141-803A	14
1	1	1	1	1	1	BEARING, BALL 25mm ID (6205 LLB)	06150-808C	15
1	1	1	1	1	1	BEARING, BALL 17mm ID (6203 LLU)	06160-803A	16
4	4	4	4	4	4	BOTL, HEX HEAD (PHIL) ¼-20 x 7.95 LG	06165-801A	17
8	8	8	8	8	8	BOLT, HEX HEAD CAP (5/16-18 x 1.25 LG)	06160-807A	18
2	2	2	2	2	2	PIN, STRAIGHT 6 X 19mm	06160-808A	19
1	1	1	1	1	1	KEY, 10mm SQ x 22mm LG	06165-802A	20
1	1	1	1	1	1	KEY, 8mm SQ x 12mm LG	06165-803A	21
2	2	2	2	2	2	BEARING, BALL 20mm ID (6304)	06165-804A	22
1	1	1	1	1	1	RING, SPACER SMALL	06165-805A	23
1	1	1	1	1	1	RING, SPACER LARGE	06165-806A	24
1	1	1	1	1	1	WASHER, WAVE SPRING	06160-814A	25
A/R	A/R	A/R	A/R	A/R	A/R	SHIM, SMALL	06160-818*	26
A/R	A/R	A/R	A/R	A/R	A/R	SHIM, LARGE	06160-819*	27
-	-	-	-	-	1	STATOR ASSY, 0.52 HP 60:1 PS III	06165-601G	28
-	-	-	-	1	-	STATOR ASSY, ¾ HP 50:1 PS III	06165-601H	28
-	-	-	1	-	-	STATOR ASSY, ¾ HP 40:1 PS III	06165-601A	28
-	-	1	-	-	-	STATOR ASSY, 1 ½ HP 30:1 PS III	06165-601B	28
-	1	-	-	-	-	STATOR ASSY, 1 ½ HP 25.5:1 PS III	06165-601F	28
1	-	-	-	-	-	STATOR ASSY, 1 1/2 HP 20:1 PS III	06165-601D	28
-	-	-	-	-	1	ROTOR ASSY, 0.52 HP 60:1, 9 TEETH	06165-602G	29
-	-	-	-	1	-	ROTOR ASSY, 3/4 HP 50:1, 8 TEETH	06165-602H	29
-	-	-	1	-	-	ROTOR ASSY, ¾ HP 40:1, 11 TEETH	06165-602A	29
1	1	1	-	-	-	ROTOR ASSY 1 ½ HP 20-30:1, 11 TEETH	06165-602B	29

* SEALS , ITEM 9 EARLY MODELS REPLACED BY ITEMS 10 & 11 IN LATER MODELS.

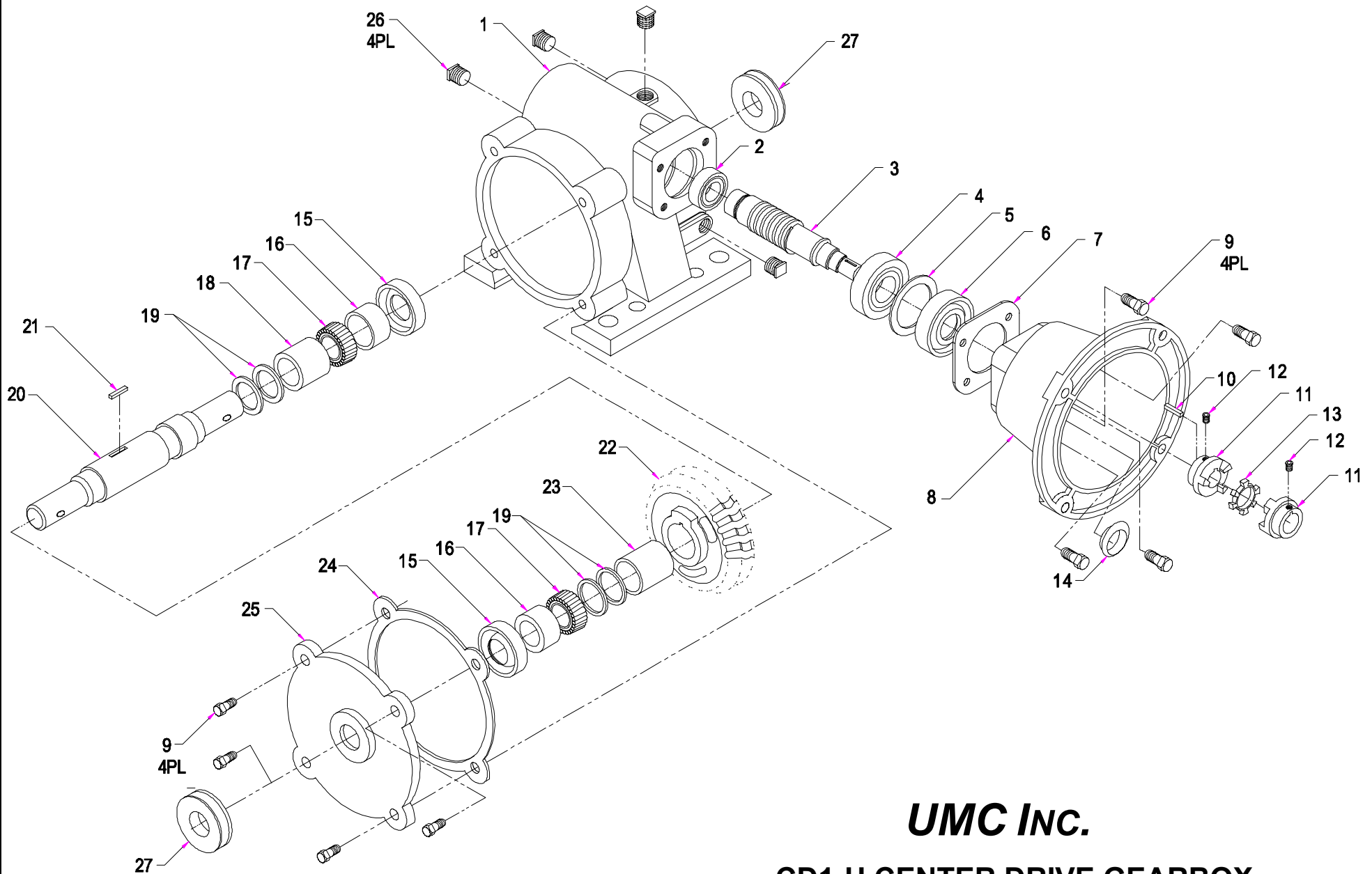


UMC Inc.

POWER SAVER II GEARMOTOR
06160-151A, -151B, -151D

151D 20:1	151F 30:1	151A 40:1	POWER SAVER II GEAR MOTOR Ratios: 40:1 / 30:1 / 20:1 06160-101A, -101B, -101D		
QTY	QTY	QTY	DESCRIPTION	PART NO	ITEM
1	1	1	HOUSING, GEAR	06160-202A	1*
1	1	1	BRACKET, MOTOR	06160-201A	2*
1	1	1	COVER, EXPANSION CHAMBER	06160-205A	3
1	1	1	DIAPHRAGM, POWER SAVER	06160-706A	4
1	1	1	GASKET, CASE PS	06160-703A	5*
4	4	4	SEAL, OIL 30 x 45 x 8mm (AE-1679-AO)	06160-705A	6
2	2	2	BEARING, BALL 17mm ID (6203 LLU)	06160-803A	7
2	2	2	BEARING, BALL 30mm ID (6206 LLB)	07530-801A	8
2	2	2	WIPER, SEAL V-GROOVE	06141-705A	9
1	1	1	KEY, .391" SQUARE X .969" LONG	06160-809A	10*
1	1	1	KEY, .273" SQUARE X .450" LONG	06160-810A	11*
2	2	2	PIN, ROLL 6 X 19mm	06160-808A	12*
3	3	3	PLUG, PIPE ½ NPT	06141-803A	13
2	2	2	SCREW, SLOTTED HEAD M-4	06160-804A	14
7	7	7	BOLT, HEX HEAD CAP (5/16-18 X 1.25 LG)	06160-807A	15
1	1	1	RING, SNAP LONG	06160-811A	16*
1	1	1	RING, SNAP SMALL	06160-812A	17*
1	1	-	SHAFT, OUTPUT	06160-204A	18*
-	1	-	GEAR, SPIRAL (FINAL) 30:1, 66 TEETH	06160-206A	19*
-	1	-	GEAR, SHAFT (PINION) 30:1, 16 TEETH	06160-207A	20*
-	1	1	GEAR, SPIRAL (1 ST RED) 30-40:1, 71 TTH	06160-208A	21*
-	-	1	GEAR, SPIRAL (FINAL) 40:1, 69 TEETH	06160-209A	22*
-	-	1	GEAR, SHAFT (PINION) 40:1, 12 TEETH	06160-210A	23*
1	-	-	GEAR, SPIRAL (FINAL) 20:1, 64 TEETH	06160-211A	24*
1	-	-	GEAR, SHAFT (PINION) 20:1, 18 TEETH	06160-212A	25*
1	-	-	GEAR, SPIRAL (1 ST RED) 20:1, 69 TEETH	06160-213A	26*
1	1	1	BEARING, BALL 25mm ID (6205 LLB)	06150-808C	27
2	2	2	SEAL, OIL 25 X 38 8mm (AE-7869-EO)	06160-710A	28
1	1	1	WASHER, WAVE SPRING	06160-814A	29
4	4	4	BOLT, HEX HEAD (PHIL) ¼-20 X .5 LG	06160-806A	30
-	-	1	STATOR/ENDBELL ASSY, ¼ HP 40:1	06160-604A	31
1	1	-	STATOR/ENDBELL ASSY, 1 ½ HP 20:1 30:1	06160-606B	34
-	-	1	ROTOR, MOTOR ¼ HP 40:1, 10 TEETH	06160-607A	35*
-	1	-	ROTOR, MOTOR 1 ½ HP 30:1, 10 TEETH	06160-608A	36*
1	-	-	ROTOR, MOTOR 1 ½ HP 20:1, 12 TEETH	06160-623A	38*
1	1	1	DECAL, CAUTION/WARNING (LARGE)	06160-711A	47
1	1	1	DECAL, WARNING (SMALL)	06160-712A	48
A/R	A/R	A/R	SHIM, SMALL	06160-818*	52
A/R	A/R	A/R	SHIM, LARGE	06160-819*	53
2	2	2	COVER, OP SHAFT (PLASTIC)	06160-707A	54*
1	1	1	BEARING, BALL (6204)	06150-809A	55

* Item Discontinued. Please call for availability



UMC Inc.

CD1-U CENTER DRIVE GEARBOX
09333-151A, 09333-152A, 09333-153A, 09333-154A

**CENTER DRIVE CD1-U 30:1 / 40:1 / 50:1 / 60:1
RETAIL PARTS/MATERIAL LIST
09333-152A, -153A, -151A, -154A**

ITEM	QTY	QTY	QTY	QTY	DESCRIPTION	PART #
1	1	1	1	1	HOUSING, CD1-U	06150-203A
2	1	1	1	1	BEARING, BALL 20mm (6204 OPEN)	06150-809A
3A	1	—	—	—	WORM SHAFT 30:1	06150-202A
3B	—	1	—	—	WORM SHAFT 40:1	09333-202A
3C	—	—	1	—	WORM SHAFT 50:1	06152-201A
3D	—	—	—	1	WORM SHAFT 60:1	09333-204A
4	1	1	1	1	BEARING, BALL 25mm (6305 LLU SEALED)	06150-808A
5	1	1	1	1	RING, RETAINING .984	06150-806A
6	1	1	1	1	SEAL, I/P .875 X 1.375 (AC1181-IO NOK)	06150-703A
7	1	1	1	1	GASKET, INPUT	06150-706A
8	1	1	1	1	FLANGE, TALL CD-1U	06150-204A
9	8	8	8	8	SCREW, HEX HEAD CAP 5/16-18 X .88	06150-802A
10	1	1	1	1	KEY, .187 X .488	06150-804A
11	2	2	2	2	COUPLER, DRIVE HALF	06150-205A
12	2	2	2	2	SCREW, SET ¼-20 X .25	06150-807A
13	1	1	1	1	PUCK, SPIDER	06150-701A
14	1	1	1	1	SHIELD	06150-702A
15	2	2	2	2	SEAL, O/P 1.125 X 1.625 (AB1598-EO NOK)	06150-704A
16	2	2	2	2	BEARING, CUP 1.98 OD (L45410)	06150-810A
17	2	2	2	2	BEARING, C ONE 1.1417 ID (L45449)	06150-811A
18	1	1	1	1	SPACER, LONG	06150-210A
19	AR	AR	AR	AR	SHIM, BEARING	06150-209*
20	1	1	1	1	SHAFT, OUTPUT CD-1U	06150-201A
21	1	1	1	1	KEY, ¼ X 1.00	06150-805A
22A	1	—	—	—	GEAR, WORM BRONZE 30:1	06150-206A
22B	—	1	—	—	GEAR, WORM BRONZE 40:1	09333-201A
22C	—	—	1	—	GEAR, WORM BRONZE 50:1	06152-202A
22D	—	—	—	1	GEAR, WORM BRONZE 60:1	09333-203A
23	1	1	1	1	SPACER, SHORT	06150-210B
24	2	2	2	2	SEAL, LARGE V-GROOVE	06141-705A
25	1	1	1	1	COVER, OUTPUT CD-1	06150-207A
26	4	4	4	4	PLUG, PIPE 3/8 NPT	06150-803A
27	2	2	2	2	WIPER, SEAL V-GROOVE	06141-705A
	152A 30:1	153A 40:1	151A 50:1	154A 60:1		