

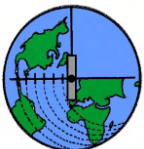
UNIVERSAL MOTION COMPONENTS

SPARE PARTS CATALOG

IRRIGATION - Couplers

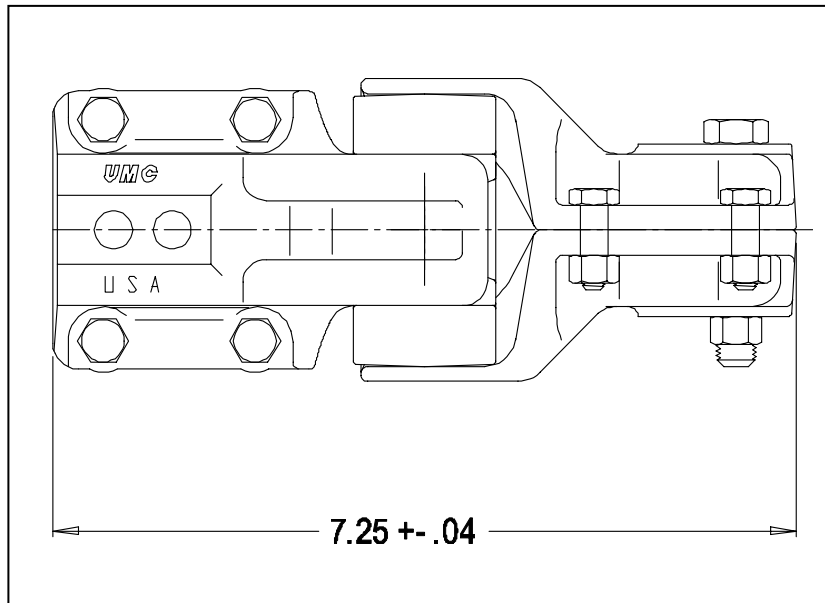
MODEL	Description	P/N	PAGE
011*	Standard Urethane Coupler Assembly	01355-111*	46
021*	Alignment Urethane Coupler Assembly	01355-121*	48

UNIVERSAL MOTION COMPONENTS, Co. Inc.



2920 Airway Ave, Costa Mesa, Ca. 92626-6008
Phone: (714) 437-9600 Fax: (714) 437-9700
E-mail: sales@umcproducts.com Web: <http://www.umcproducts.com>

**STANDARD DRIVE-LINE COUPLER ASSEMBLY
P/N 01355-111***



DRIVE LINE COUPLER ASSEMBLIES

MODEL #	DESCRIPTION	ENDS	PART NUMBER
011-G	COUPLER ASSY, 1" R & 7/8" Sq. X 1 1/8" R & 1" Sq.	#1 & #8	01355-111G
011-I	COUPLER ASSY, 1 1/8" R & 1" X 2 ENDS	#8 & #8	01355-111I
011-M	COUPLER ASSY, 1" R & 7/8" Sq. Tow X 2 ENDS	#1 & #1	01355-111M
011-N	COUPLER ASSY, 1" R & 7/8" Sq. X 3/4" Sq. Tow	#1 & #2	01355-111N
011-P	COUPLER ASSY, 1" R & 7/8" Sq. w/Key Slot X 3/4" Sq. Tow	#6 & #2	01355-111P
011-R	COUPLER ASSY, 3/4" Sq. X 1 1/8" R & 1" Sq. Tow	#2 & #8	01355-111R

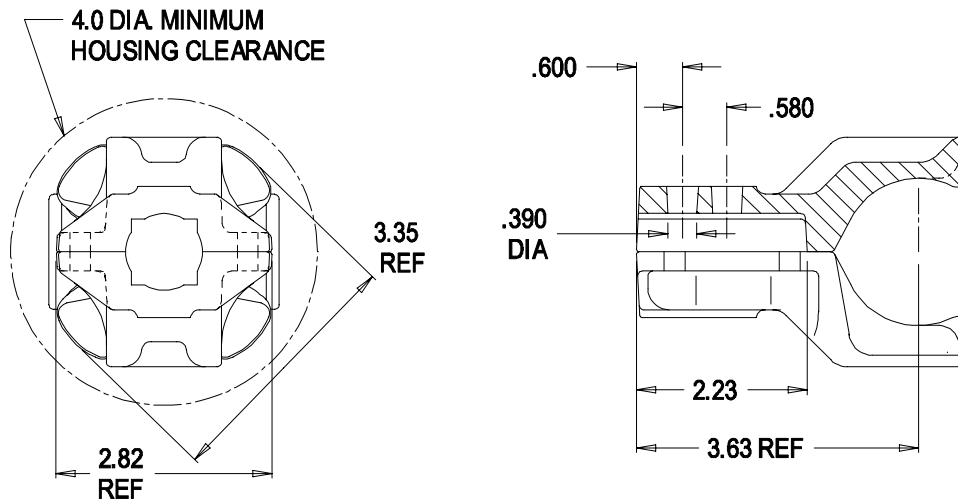
DISCONTINUED DRIVE LINE COUPLER ASSEMBLIES

MODEL #	DESCRIPTION	ENDS	PART NUMBER	REPLACE- MENT
011-A	COUPLER ASSY, 1" R & 7/8" Sq. X 2 ENDS	#1 & #1	01355-111A	001-M
011-B	COUPLER ASSY, 1" R & 7/8" Sq. X 3/4" Sq.	#1 & #2	01355-111B	011-N
011-H	COUPLER ASSY, 3/4" Sq. X 1 1/8" R & 1" Sq.	#2 & #8	01355-111H	011-R
011-L	COUPLER ASSY, 1" R & 7/8" w/Key Slot X 3/4" Sq.	#6 & #2	01355-111L	011-P

NOTE: ASSEMBLY INCLUDES 4 ARMS, 1 INSERT AND BOLT KIT AND IS SHIPPED DIS-ASSEMBLED IN A SEALED PLASTIC BAG.

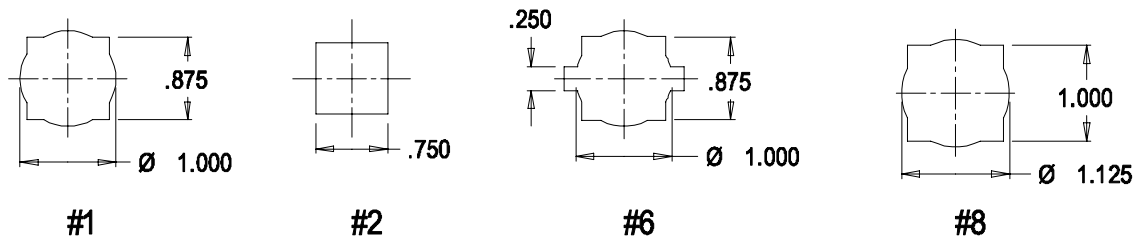
NOTE: ENDS ARE SQUARE UNLESS NOTED "R" FOR ROUND.

TYPICAL STANDARD COUPLER DIMENSIONS P/N 01355-111*

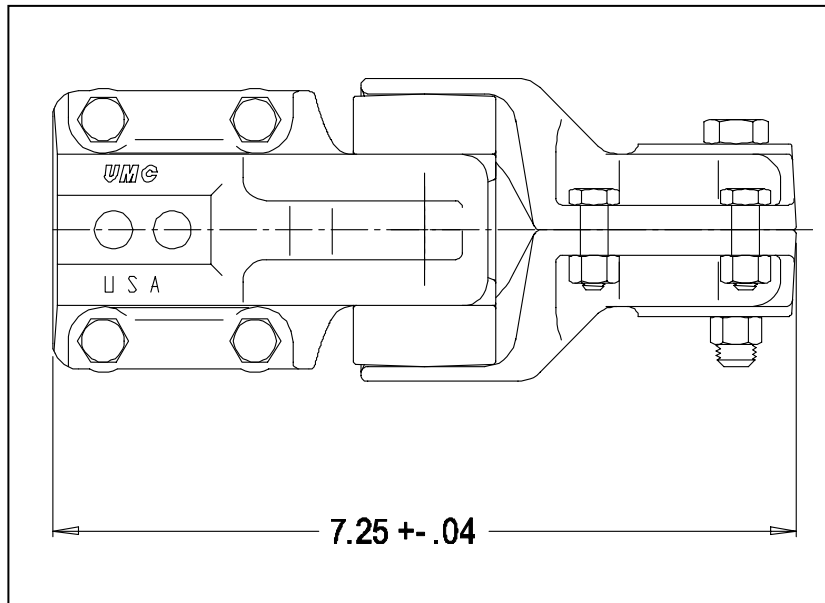


COUPLER COMPONENTS RETAIL PARTS/MATERIAL LIST		
MODEL NUMBER	DESCRIPTION	PART NUMBER
001-1	ARM, LOAD #1 1" RND & 7/8" SQ	01355-301A
001-2	ARM, LOAD #2 3/4" SQ	01355-301B
001-6	ARM, LOAD #6 1" RD & 7/8" SQ w/KEY	01355-301E
001-8	ARM, LOAD #8 1 1/8" RD & 1" SQ	01355-301R
001-5U	INSERT, HIGH TOURQE COUPLER STANDARD	06550-704B
001-5UT	INSERT, HIGH TOURQE COUPLER GROOVED (TOW)	06550-704A
N/A	BOLT KIT ASSY, STANDARD SQUEX BOLT	01352-104B

END TYPES AVAILABLE



**ALIGNMENT DRIVE-LINE COUPLER ASSEMBLY
P/N 01355-121***

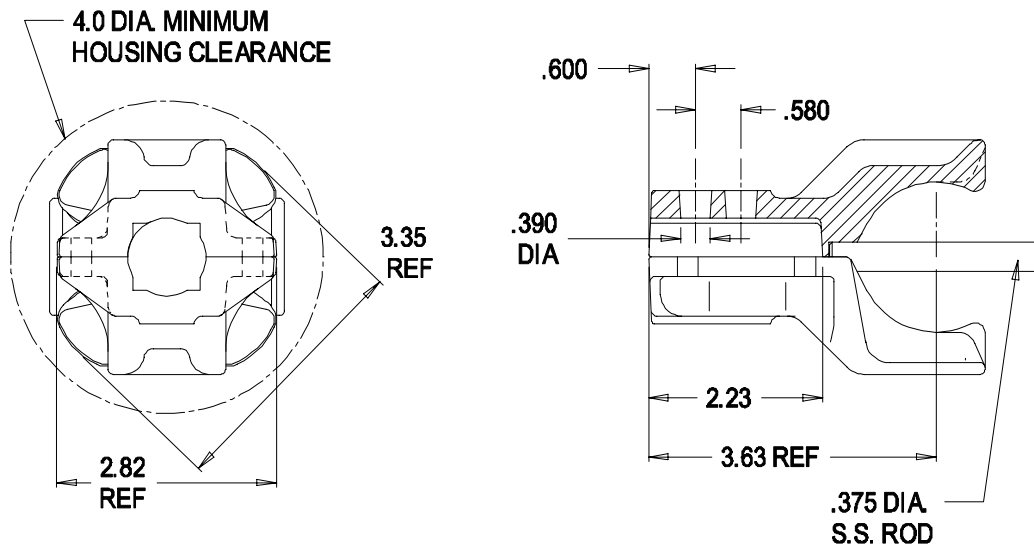


DRIVE LINE COUPLER ASSEMBLIES			
MODEL #	DESCRIPTION	ENDS	PART NUMBER
021-A	COUPLER ASSY, 1" R & 7/8" Sq. X 2 ENDS	#1 & #1	01355-121A
021-G	COUPLER ASSY, 1" R & 7/8" Sq. X 1 1/8" R & 1" Sq.	#1 & #8	01355-121G
021-M	COUPLER ASSY, 1" R & 7/8" Sq. Tow X 2 ENDS	#1 & #1	01355-121M

NOTE: ASSEMBLY INCLUDES 4 ARMS, 1 INSERT AND BOLT KIT AND IS SHIPPED DIS-ASSEMBLED IN A SEALED PLASTIC BAG.

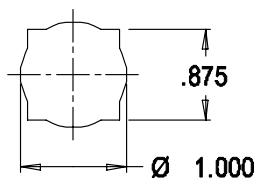
NOTE: ENDS ARE SQUARE UNLESS NOTED "R" FOR ROUND.

TYPICAL ALIGNMENT COUPLER DIMENSIONS P/N 01355-121*

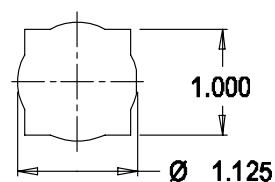


COUPLER COMPONENTS RETAIL PARTS/MATERIAL LIST		
MODEL NUMBER	DESCRIPTION	PART NUMBER
001-1	ARM, LOAD #1 1" RND & 7/8" SQ	01355-301A
001-8	ARM, LOAD #8 1 1/8" RD & 1" SQ	01355-301R
001-5U	INSERT, HIGH TOURQE COUPLER STANDARD	06550-704B
001-5UT	INSERT, HIGH TOURQE COUPLER GROOVED (TOW)	06550-704A
N/A	BOLT KIT ASSY, STANDARD SQUEX BOLT	01352-104B

END TYPES AVAILABLE



#1 A



#8 G