

QUALITY IRRIGATION  
PRODUCTS

2920 Airway Ave, Costa Mesa, Ca. 92626  
phone: 714.437.9600 fax: 714.437.9700



FINAL DRIVE GEARBOXES



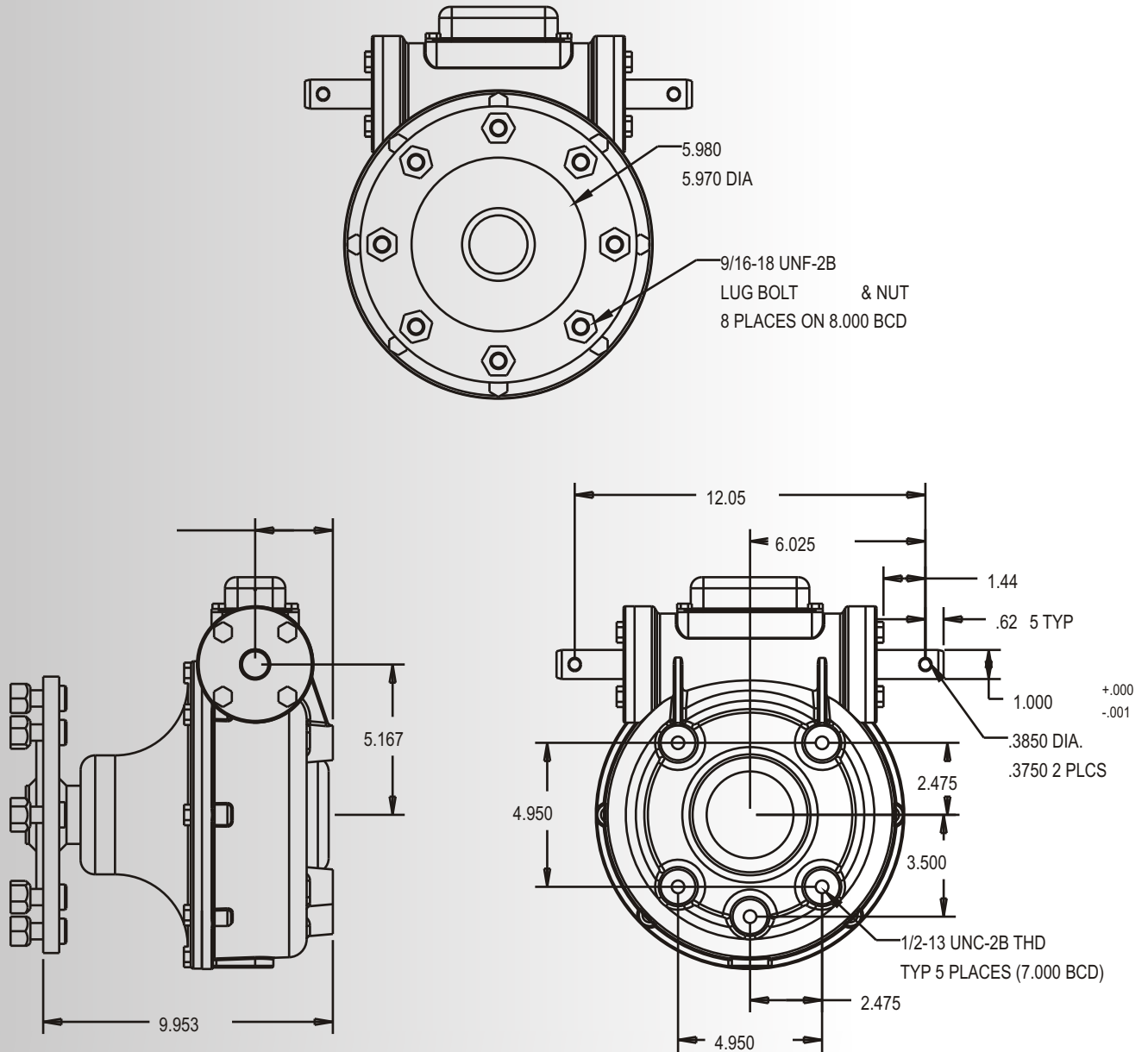
Moderate Duty  
Gearbox

Evaluation Specification:

- \* Dual input seals standard.
- \* Built in centering feature for drive shaft cover.
- \* Stainless steel expansion chamber.
- \* Standard 5 hole mount bolt pattern.
- \* Full cycle expansion chamber; bellows-type expansion diaphragm.
- \* 50:1 worm gear ratio, Peak torque in excess of 70,000 in./lbs
- \* Tapered roller bearings.
- \* 2" Output Shaft
- \* High strength cast iron bolt-on end caps.
- \* Includes rib neck carriage bolts with wheel nuts.
- \* Each gearbox filled with extreme pressure, multi-purpose gear oil.
- \* Each unit date stamped.
- \* High strength steel worm and output shaft.

CONTACT UMC AT SALES@UMCPRODUCTS.COM

## Dimensional Drawing Final Drive Gearboxes



CONTACT UMC AT [SALES@UMCPRODUCTS.COM](mailto:SALES@UMCPRODUCTS.COM)



Universal Motion Components, Co. Inc.  
2920 Airway Ave, Costa Mesa, Ca. 92626  
Phone: 714.437.9600 Fax: 714.437.9700  
Web: <http://www.umcproducts.com>  
E-mail: [sales@umcproducts.com](mailto:sales@umcproducts.com)